

**Fii FOCUS™**  
LANDSCAPE LIGHTING

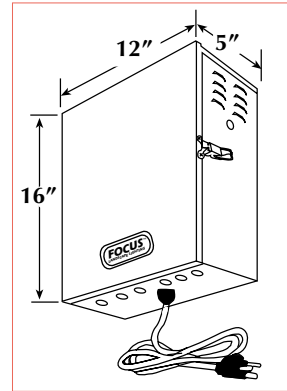
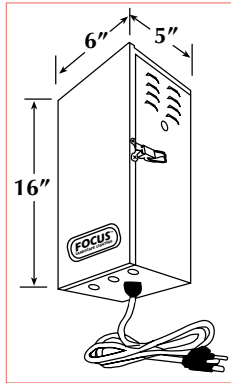


**M 2000**  
**STAINLESS**  
**STEEL 12V**  
**TRANSFORMERS**

# DESCRIPTION

**MST**

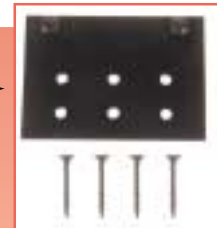
**MLT**



## MLT-412-1200-2T-2D-RPC-MV

18 gauge #4 brushed stainless steel enclosure and latchable hinged door.

Supplied with mounting plate & hardware for easy installation (key slotted back)



75 amp extra heavy duty terminal block. 1, 2, or 3 sets of cable can be stacked in each terminal.

16 cooling louvers for maximum heat dissipation (see diagrams above)



(-T) Integral time clock, 24 hour, 15 minute increment settings, easily programmable.

On/Off rocker switch

Resettable circuit breakers (overload/short circuit) protection

(-D) Full phase dimmer - 12.5v - 0.0v (standard), w/MV 14.5v - 0.0v. (-MV)

(-R) 24VAC relay to existing irrigation controller

6' SJT-WA grounded power cord (18/3 - 120v)

6 x 1/2" Knock Outs for conduit feed



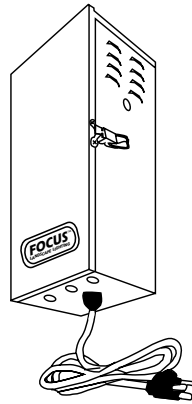
(-RPC) remote Photocell w/15' cord & mounting hub (available up to 50'), dusk to dawn automatic control

# ORDERING INFORMATION

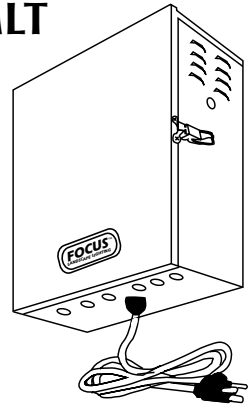
## M 2000 STAINLESS STEEL 12V TRANSFORMERS

2 Enclosure Sizes  
Type: NEMA 3R  
Rain Tight/Weatherproof

MST



MLT



## OPTIONS

### FACTORY INSTALLED

(Add following to catalog #)

1. Integral timer (-T)
2. Photocell (-PC) Attached
3. Remote Photocell (-RPC)
4. Full Phase Factory Installed Dimmer (-D)
5. 24VAC Relay (-R)
6. Multi-Voltage Output (-MV);  
12.5, 13.5, 14.5 volt taps
7. Multi-Voltage Input (-MVI): 277 or 220/240  
50 hzt., 300 VA Only. 12.5v input only

### FIELD INSTALLED KITS:

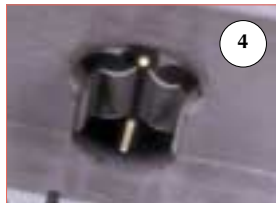
1. Integral Timer Kit (-T KIT)
2. Photocell Kit (-PC KIT)
3. Remote Photocell Kit (-RPC KIT)
4. Full Phase Dimmer Kit (-D KIT)
5. 24 VAC Relay Kit (-R KIT)
6. 100w Power Kit (-100 KIT)
7. 300w Power Kit (-300 KIT)
8. 300wMV Power Kit (-300MV KIT)
9. 600w Power Kit (-600 KIT)
10. 600wMV Power Kit (-600MV KIT)

### CATALOG #

MST-12-200  
MST-12-300  
MST-212-600

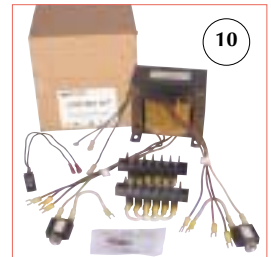
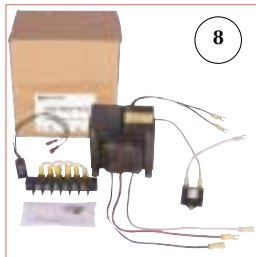
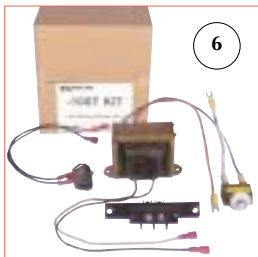
### CATALOG #

MLT-312-900  
MLT-412-1000  
MLT-412-1200

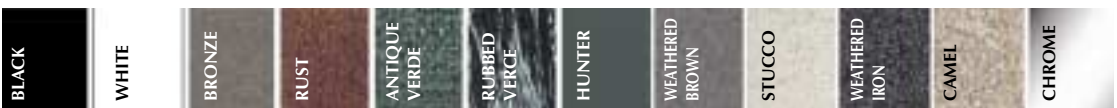


When ordering field installed kits, you must specify for use with MST or MLT.

Note: All below kits are plug and go, supplied with instructions and all hardware to make the upgrade. Simply plug 1/4" quick connector to the designated terminal and you're ready to enjoy your new or existing landscape lighting system.



## OPTIONAL POWDERCOAT FINISHES



# SPECIFICATIONS

- Heavy Duty 18 Gauge Stainless Steel Enclosure with Hinged Locking Door
- Rain Tight Enclosure, Above Grade (Nema 3R Type)
- Long Life, High Temperature (130° C) 266° F Class 'B' Rated Transformers
- Isolation/Insulation type. No Contact Between 120V and 12V Windings. Copper Shield.
- 1500 Volt Isolation Between All Windings and Ground
- 11 Gauge Cold Rolled Steel 'L' Brackets for Stable Mounting
- Grade M19 Electrical Grade Steel for Superior Electrical and Magnetic Properties
- Strip Copper Secondary Windings for Lower Temperature Rise
- Single Phase, Open Core and Coil.
- EI Laminated Windings (Linear Output) Vacuumed Impregnated w/Black Slate Flour Filled Varnish for Superior Heat dissipation and Noise Reduction. Class 180° C.
- 120V Primary, 12.5 Volt Secondary 50/60 Hertz/cycle Standard
- 6 Foot (18/3) SJT-WA Weatherproof Grounded Power Cord (120V)
- On/Off Control via Rocker Switch
- Extra Heavy Duty (75 amp) Terminal Block Easily Handles Extra Sets of Cable.
- Resetable Circuit Breaker for Overload and Short Circuit Protection
- U.L. 1838 Listed. The Standard for Landscape Lighting Systems.
- All Units are Supplied with Knock Outs for Easy Upgrading or Adding of Accessories.
- MST Series has 3 x 1/2" Knock Outs for Conduit Feed of 12V Cable.
- MLT Series has 6 x 1/2" Knock Outs for Conduit Feeds of 12 Volt Cable.

## MOUNTING LOCATIONS

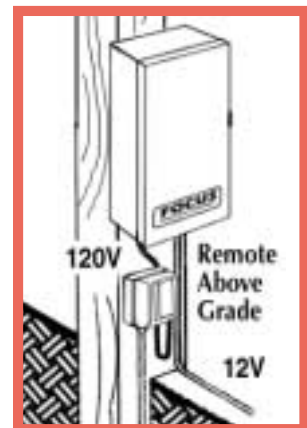
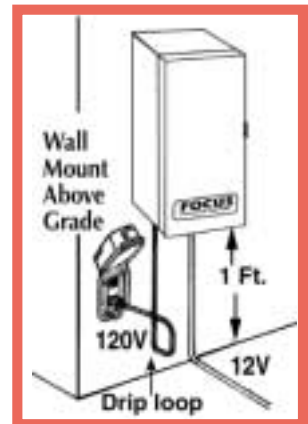
Dictated by where (120V) power is available. Normally in the garage, closet, car port, attic, basement, utility shed, pool enclosure or house exterior. When used outdoors, you must utilize a weatherproof cover over the electrical outlet. In some cases (120V) power must be pulled into or placed in a specific location for best results.

## MOUNTING INSTRUCTIONS

Mount all M 2000 Series weatherproof transformers within 2 ft. of a standard electrical (110/120v) receptacle with the provided mounting plate and screws. Minimum 1 ft. above ground or grade for outdoor use. Attach and crimp flange spade connectors (supplied) to the ends of low voltage direct burial cable, then place in proper designated terminal block sections and tighten securely. Plug grounded power cord into a recommended ground fault circuit interrupter (GFCI) with a weatherproof junction box cover to prevent possible shock/short circuit as per National Electric code. Provide a water drip loop for the power cable to insure water will not flow directly into the receptacle. See illustrations to the right.

## WHY USE M 2000 KITS?

1. Modular design enables fast and easy field upgrades.
2. Add or remove any control device in minutes.
3. Transformer never leaves job site. No down time. Happy customers!!
4. Add additional power modules for increased capacities. More lighting for new applications.
5. Less inventory required. Stock 1 or 2 main units and Kits for upgrading.
6. Makes repair work hassle-free. No return of unit to factory. Can be field repaired.
7. Saves you time, money, aggravation, and frustration. Keeps you and your customers happy!!!



## FOCUS INDUSTRIES, INC.

25301 COMMERCENTRE DRIVE ■ LAKE FOREST, CA 92630

PHONE: (949) 830-1350 ■ FAX (949) 830-3390

www.focusindustries.com ■ sales@focusindustries.com

### REGIONAL DISTRIBUTION CENTERS

1400 Hanley Industrial, St. Louis, MO 63114 ■ Ph (314) 962-3570 ■ Fax (314) 962-5449

6809 New State Road, Philadelphia, PA 19135 ■ Ph (215) 624-8650 ■ Fax (215) 624-8660

12139 S. W. 131 Avenue, Miami, FL 33186 ■ Ph (305) 233-6581 ■ Fax (305) 233-6725

1412 Dunn Street, Carrollton, TX 75006 ■ Ph (972) 245-6461 ■ Fax (972) 446-7284

1 Lightsky Court, Suite #4, Sacramento, CA 95828 ■ Ph (916) 386-2233 ■ Fax (916) 386-2232

MEMBER OF

