

"The Wrangler"

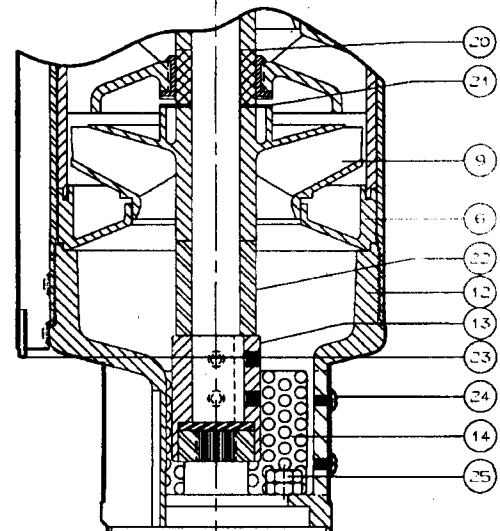
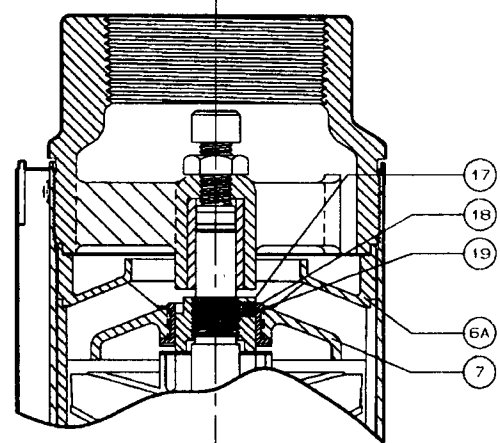
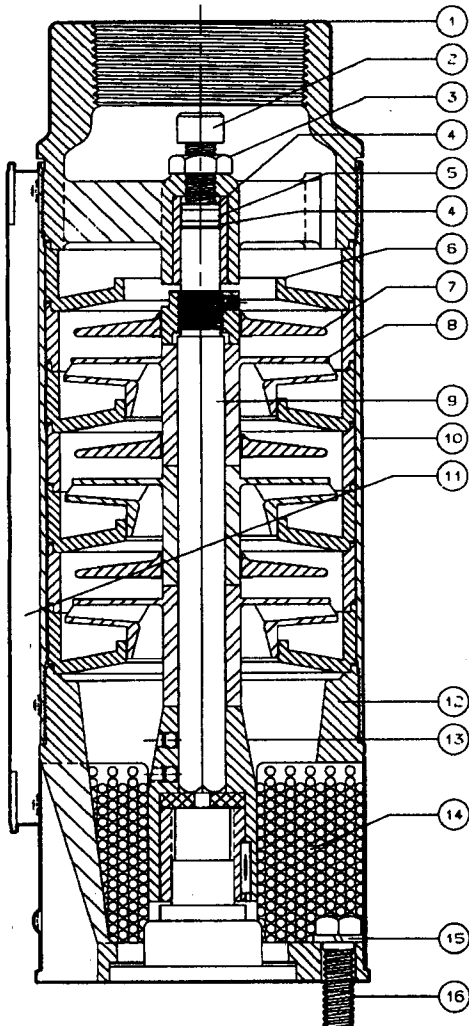


6" Submersible Pumps

Replacement Parts List for 64P and 66P Series

Key	Description	Part. No.
1	Bowl, Discharge w/Bearing	26208D000
2	Screw, Cap, Socket Head	06106A046
3	Nut, Lock	19109A091
4	Bearing, Thrust, SST	26214A000
5	Bearing, Thrust, Nylon	26215A000
6	Housing, Impeller 60 & 90 GPM	26202B000
6	Housing, Impeller 140 GPM	26203B000
6A	Housing, Impeller 140 GPM Discharge End	26203B001
7	Diffuser 60 & 90 GPM	26199C000
7	Diffuser 140 GPM	26201C000
8	Impeller 60 GPM	26196B000
8	Impeller 90 GPM	26197B000
8	Impeller 140 GPM	26198B000
9	Shaft, Pump	(see chart)
10	Shell, Pump	(see chart)
11	Guard, Lead	(see chart)
12	Bowl, Suction 64P Series	26526D000
12	Bowl, Suction 66P Series	26205D000

Key	Description	Part. No.
13	Coupling, w/Key & Set Screws 64P Series	24625b001
13	Coupling, w/Key & Set Screws 66P Series	26211B000
14	Strainer 64P Series	24342B000
14	Strainer 66P Series	26206B000
15	Washer, Lock 1/2" SST, 66P Series	05454A016
16	Screw, Cap 1/2-20UNF x 1 1/2 long SST, 66P Series	19103A050
17	Nut, Impeller	26210A000
18	Screw, Set 1/4-20UNC SST	05013A018
19	Bearing, Rubber 140 GPM	16393A009
20	Sleeve, Bearing 140 GPM	26254A000
21	Washer, Thrust, Nylon 140 GPM	26253A000
22	Spacer, 140 GPM, 66P Series	26266A000
22	Spacer, 60 & 90 GPM 64P Series	26266A001
22	Spacer, 140 GPM 64P Series	26266A002
23	Tape, Foam	18859A022
24	Screw, Mach #8-32UNC	05434A051
25	Nut, Hex 5/16-24UNF SST, 64P Series	19109A078





"The Wrangler"

6" Submersible Pumps

Replacement Parts List for 64P and 66P Series

SHAFT, SHELL, and CABLE GUARD TABULATION

Model	Stages	Shaft Part No. (Key #9)	Shell Part No. (Key #12)	Cable Guard (Key #22)
64P360	3	26531B000	26209B000	24629B522
64P390	2	26531B004	26209B008	24629B525
64P560	5	26531B005	26209B009	24629B523
64P590	4	26531B001	26209B001	24629B526
64P5140	2	26531B002	26209B002	24629B529
64P760	8	26531B003	26209B003	24629B524
64P790	6	26531B006	26209B010	24629B527
64P7140	3	26531B007	26209B013	24629B532
66P360	3	26212B000	26209B000	24629B500
66P560	5	26212B009	26209B009	24629B508
66P760	8	26212B003	26209B003	24629B503
66P1060	11	26212B011	26209B011	24629B510
66P1560	17	26212B005	26209B005	24629B505
66P390	2	26212B008	26209B008	24629B502
66P590	4	26212B001	26209B001	24629B501
66P790	6	26212B010	26209B010	24629B509
66P1090	8	26212B003	26209B003	24629B503
66P1590	12	26212B004	26209B004	24629B504
66P2090	16	26212B012	26209B012	24629B511
66P3140	1	26212B016	26209B016	24629B513
66P5140	2	26212B002	26209B002	24629B502
66P7140	3	26212B013	26209B013	24629B512
66P10140	4	26212B014	26209B014	24629B508
66P15140	6	26212B006	26209B006	24629B506
66P20140	8	26212B015	26209B015	24629B504
66P25140	10	26212B007	26209B007	24629B507

PUMP MODEL DESIGNATION

6	4	P	3	60
PUMP SIZE	MOTOR SIZE	SERIES	MOTOR HP	PUMP SIZE
6 = 6 inch	4 = 4 inch 6 = 6 inch		3 = 3 HP 5 = 5 HP 7 = 7.5 HP 10 = 10 HP 15 = 15 HP 20 = 20 HP 25 = 25 HP	60 = 60 GPM 90 = 90 GPM 140 = 140 GPM



F. E. Myers, 1101 Myers Parkway, Ashland, Ohio 44805-1969
419/289-1144, FAX: 419/289-6658